

SATRON VDU differential pressure transmitter belongs to V-series transmitters. SATRON VDU differential pressure transmitter is used from 0-4 kPa to 0-3 MPa ranges (static pressure + measuring range). It is a 2-wire transmitter with HART® standard communication. In pressure measuring applications SATRON VDU diff. pressure transmitters are used for measuring the pressure of clean, sedimenting, crystallizing and sticking materials. The transmitter's sensor is piezoresistive. The rangeability is 25:1.

TECHNICAL SPECIFICATIONS

Measuring range and span

See Selection Chart.

Zero and Span adjustment

Zero elevation: Calibrated span is freely selectable on the specified range. This can be made by using keyboard or HART®275 communicator.

Damping

- Time constant is continuously adjustable 0,01 to 60 s.

Temperature limits

Ambient: -30 to +80 °C

Process: -30 to +125 °C

0 to +200 °C (temp. code **H**)

Shipping and storage: -40 to +80 °C.

Operating temperature of display: 0 to +50°C (does not affect operation of the transmitter)

Pressure limits Min. and max. process pressure: See the appended tables.

Volumetric displacement

< 0.5 mm³/max. span (in both sensors)

Output 2-wire (2W), 4-20 mA, user selectable for linear, square root, inverted signal or the transfer function (16 points)specified by the user

Supply voltage and permissible load

See the load capacity diagram;

4-20 mA output: 12 - 35 VDC.

Humidity limits

0-100 % RH; freezing of condensed water not allowed in reference pressure channels.

PERFORMANCE SPECIFICATIONS

Tested in accordance with IEC 60770: Reference conditions, specified span, no range elevation, horizontal mounting; AISI316L diaphragm, silicone oil fill.

Accuracy

±0.2 % of calibrated span

(span 1:1-7.5:1 /max.range).

On the measuring ranges 7.5:1-25:1:

$$\pm[0.02+0.024 \times \left(\frac{\text{max. span}}{\text{calibrated span}} \right)]\% \text{ of calibrated span}$$

Special accuracy types **BA** and **DA** : (Temperature effect on +20 to +70 °C)

±0,15 % of calibrated span, only process connections **BA** and **DA** / temperature effect code **S**, for spans 1:1-7,5:1).

¹⁾ Parts in contact with process medium

On the measuring ranges 7,5:1-25:1:

$$\pm[0.01+0.007 \times \left(\frac{\text{max. span}}{\text{calibrated span}} \right)]\% \text{ of calibrated span}$$

(incl. nonlinearity, hysteresis and repeatability)

Long-term stability

±0.2 % / max. span / year

Temperature effect

- on -20 to +80 °C range

Zero and span error:

±0.3 % of max. span.

- on 0 °C to +200 °C range

(process temperature code **H**)

±2 % of max. span, VDU6

±4 % of max. span, VDU4, VDU5

Temperature effect

- on +20 °C to +70 °C,

process connections **BA** and **DA**

Zero and span error:

±0.15 % of max.span, code **S**

Mounting position effect

Zero error < 0.32 kPa, which can be calibrated out.

Vibration effect (IEC 68-2-6: FC):

±0.1 % of measuring range/

2g/10 to 2000 Hz

4g/10 to 100 Hz

Power supply effect

< ±0.01 of calibrated span per volt

Insulation test voltage

500 V rms 50 Hz

CONSTRUCTION AND CALIBRATION Materials

Diaphragm ¹⁾: AISI316L (EN 1.4435), Duplex (EN 1.4462), Hast. C276 (EN 2.4819), CoNi-alloy, Titanium Gr2 (EN 3.7035), Nickel or Tantalum.

Coupling ¹⁾: AISI316L (EN 1.4404), Duplex (EN 1.4462), Hast.C276 (EN 2.4819) or Titanium (EN 3.7035)

Other sensing element materials: AISI316, AISI303.

Pressure limits

Transmitter type	Max. overload pressure, MPa	Max. operating range (=static pressure +meas. range), kPa	Pressure class
VDU4	0.3	100	PN40
VDU4/5	0.3	250	PN40
VDU5	1.5	500	PN40
VDU5/6	1.5	1000	PN40
VDU6	7.5	3000	PN100



Filling fluid: Silicone oil, food industry oil or inert oil

Enclosure class IP66

Electronics housing:

AISI303/316, Seals: nitrile rubber and Viton®, Nameplates: Polyester

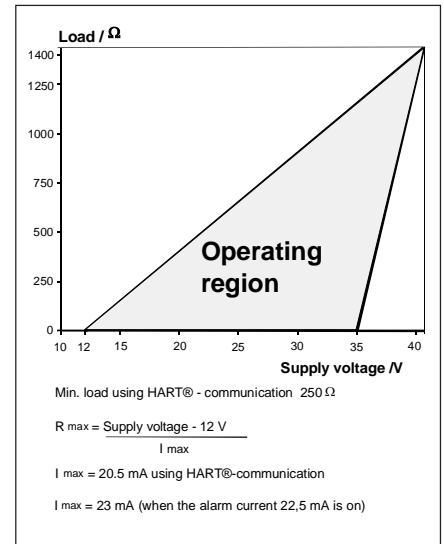
Calibration

For customer-specified range with 1 s. damping. (If range is not specified, transmitter is calibrated for maximum range.)

Process connections

See Selection Chart

Process couplings: See Selection Chart and installation instructions or technical specification: Couplings for Transmitters **G150**.



Min. process pressure

T _{proc} °C	Minimum pressure for different fill fluids (kPa, abs)	
	DC200 100 cSt	Inert oil
20	5	8
40	8	10
80	16	28
120	21	53

Electrical connections

M20x1.5, 1/2-NPT ; screw terminals for 0.5 to 2.5 mm² wires and with PLUG connector, connector type DIN 43650 model AF; Pg9 gland for cable; wire gross-section 0.5 to 1.5 mm².

Product Certifications

European Directive Information

Electro Magnetic Compatibility (EMC directive 2004/108/EC)

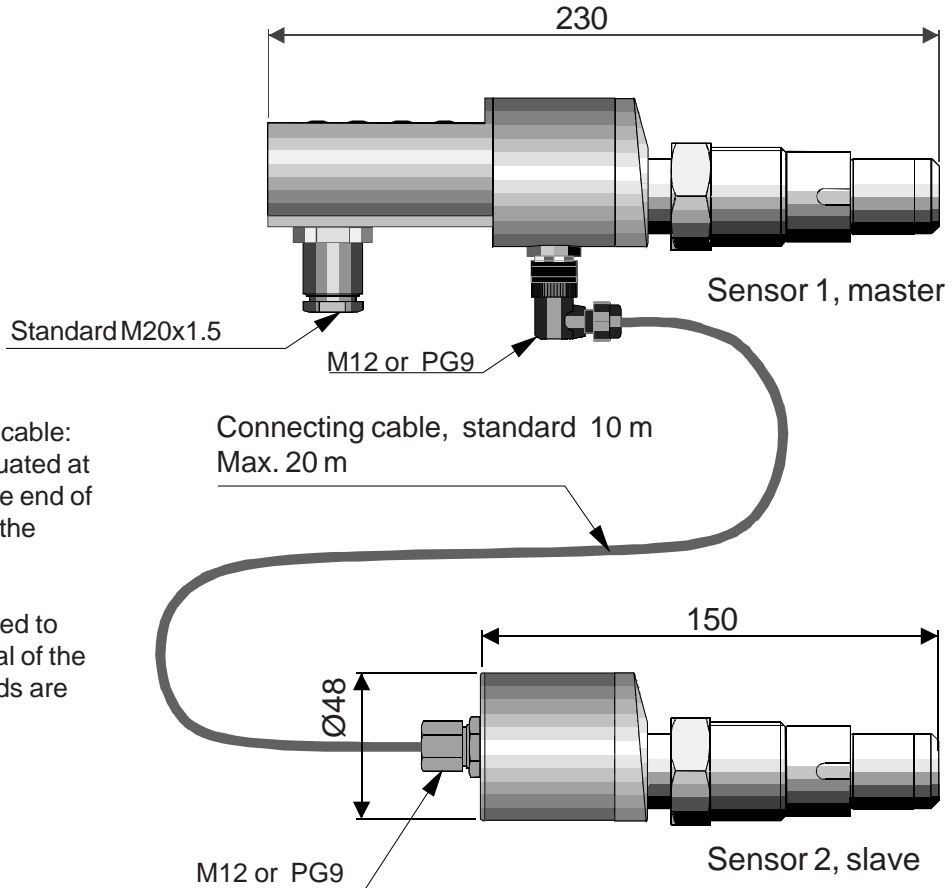
All differential pressure transmitters
European Pressure Equipment Directive (PED) (97/23/EC)

All Differential Pressure Transmitters:
- Sound Engineering Practice

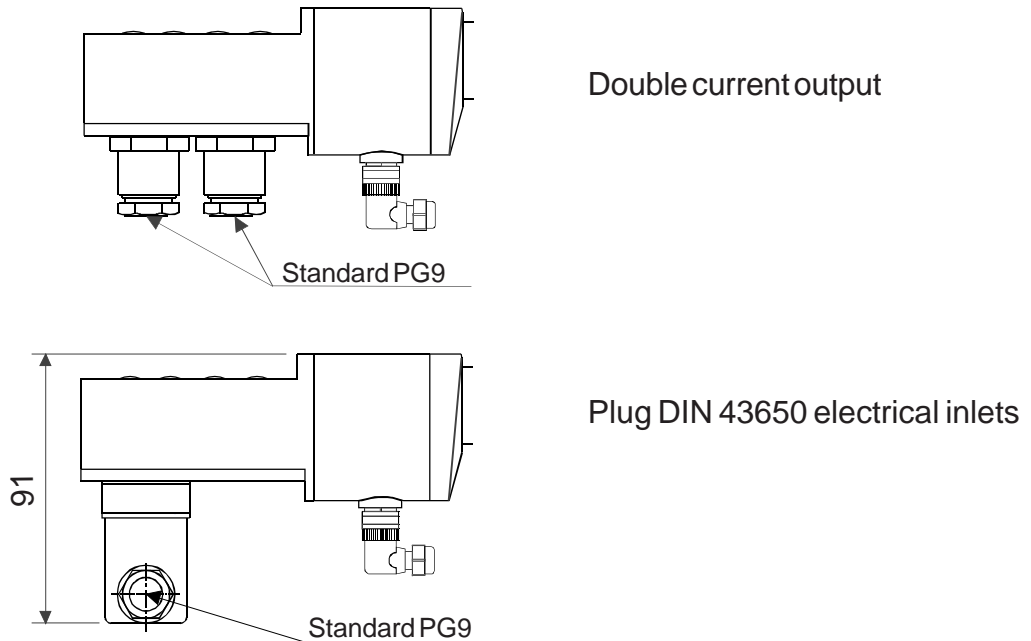
Weight

Mounting type	Weight / kg				
	Extension code				
	0	2	4	6	
Flange	DN50	8.8	10	10.5	11
	DN80	13.5	15.8	16	16.8
SA (Sandvik)	-	8.2	10.6	12.8	
Tx (Tri-Clamp)	2.4	-	-	-	
PA (PMC 1")	1.8	-	-	-	
BA, VA, WA	1.8	-	-	-	
UA, VB, WB	2.6	-	-	-	
G1...G4	2.5	-	-	-	

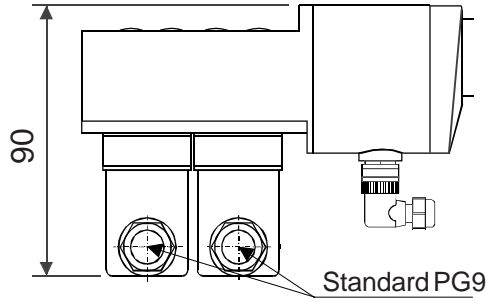
Dimensions (mm)



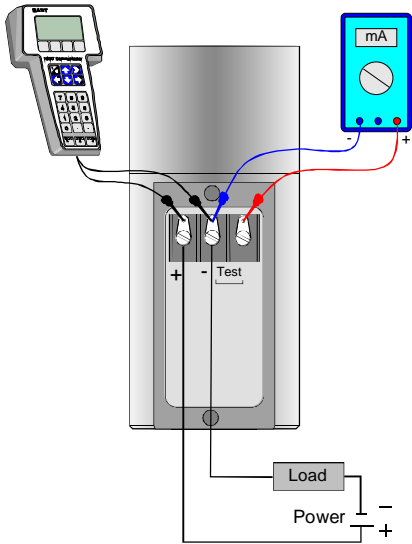
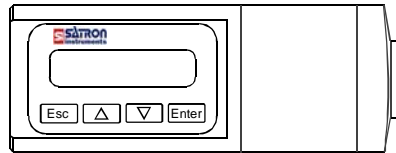
Dimensions (mm)



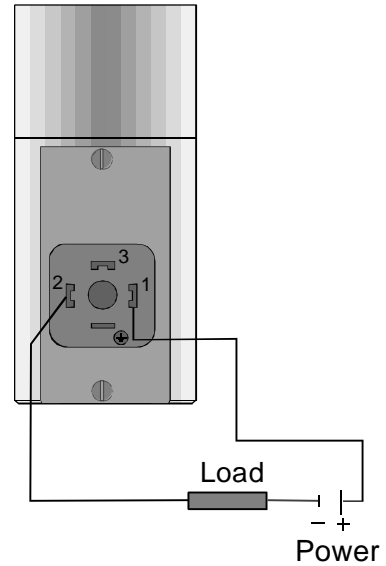
Dimensions (mm)



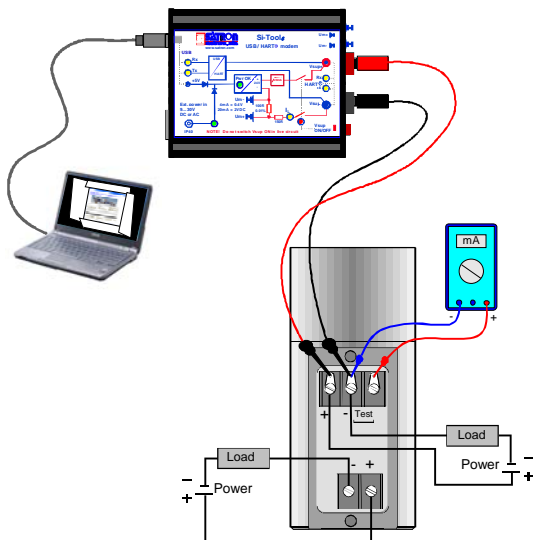
Double current output with
plug DIN43650 connector



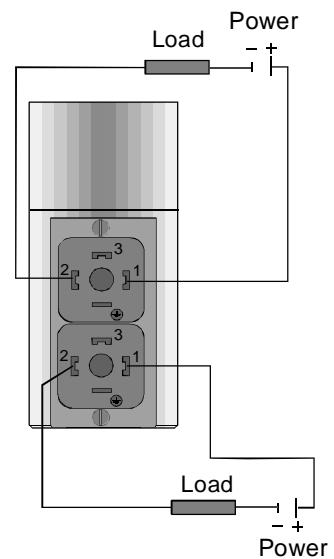
Wiring one current output



Wiring one current output, plug DIN43650 connector

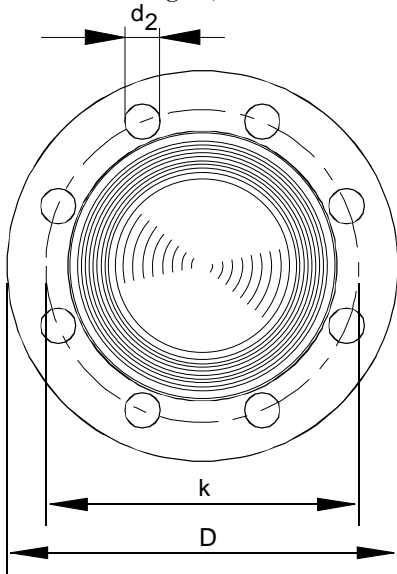


Wiring double current output

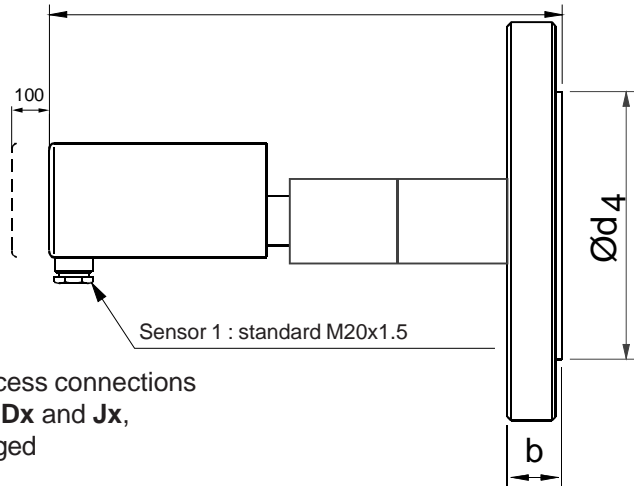


Wiring double current output, plug DIN 43650 connector

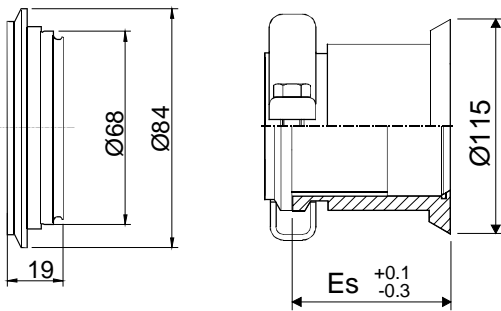
Dimensional drawings (dimensions in mm)



Sensor 1 (master) 275
Sensor 2 (slave) 190



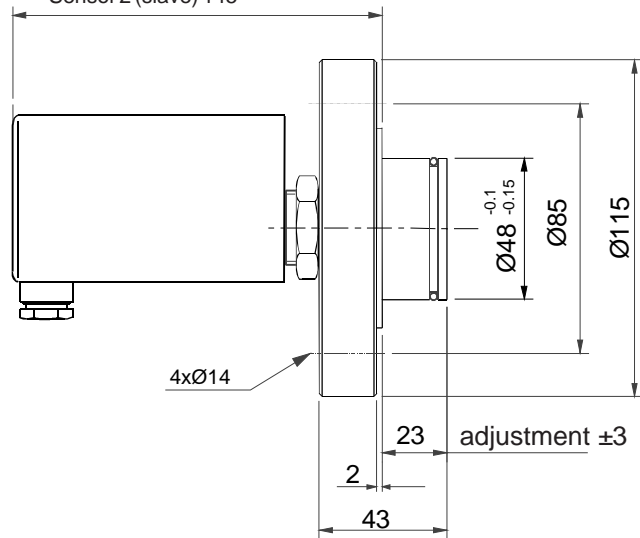
Process connections
Ax, Dx and Jx,
flanged



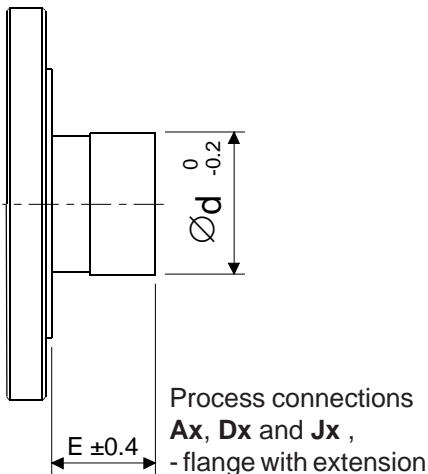
Process connection **UA**,
- Tuchenhagen DN50/40
(Varivent®)

Process connection **SA**,
- Sandvik-clamp

Sensor 1 (master) 225
Sensor 2 (slave) 145



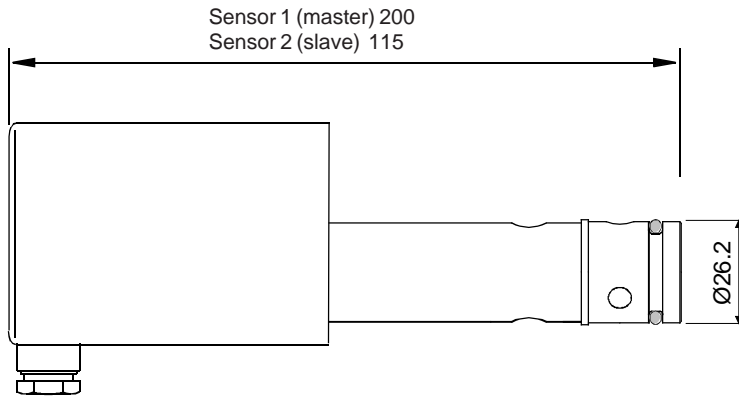
Process connection **DA**, DN25 PN40 flange with extension, process temperature max. +125°C



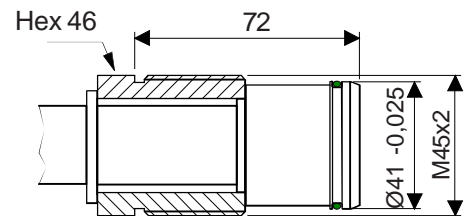
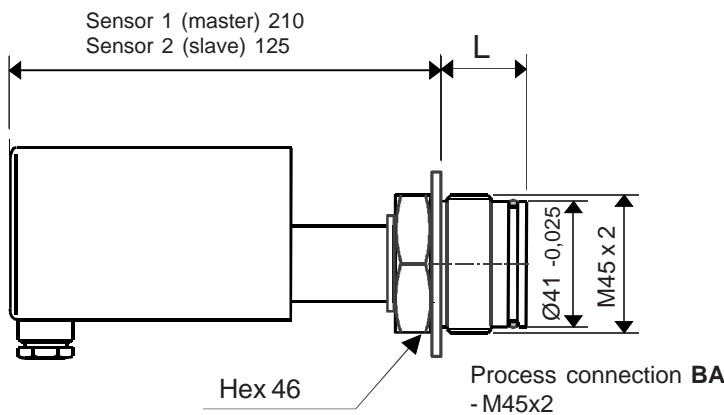
Code	E +0.4 -0.4	Es +0.3 -0.2
0	0	-
1	23	-
2	51	54,5
4	102	105
6	152	156

FLANGE SIZE	Flange dimens.			Holes			Extens. $\text{Ø}d_{-0.2}$
	b	D	$\text{Ø}d_4$	pcs	d_2	k	
ISO DN25 PN40	18	115	68	4	14	85	48
ISO DN50 PN40	20	165	102	4	18	125	51
ISO DN80 PN40	24	200	138	8	18	160	73
ISO DN100 PN40	24	235	162	8	22	190	73
ANSI 1" 150 lbs	15	108	51	4	16	79.4	-
ANSI 1" 300 lbs	18	124	51	4	20	88.9	-
ANSI 2" 150 lbs	23	152	92	4	20	120.6	51
ANSI 2" 300 lbs	25	165	92	8	20	127	51
ANSI 3" 150 lbs	26	191	127	4	20	152.4	73
ANSI 3" 300 lbs	31	210	127	8	23	168.3	73
ANSI 4" 150 lbs	26	229	157	8	20	190.5	73
ANSI 4" 300 lbs	34	254	157	8	23	200	73
JIS 10K-50	16	155	96	4	19	120	51
JIS 40K-50	26	165	105	8	19	130	51
JIS 10K-80	18	185	126	8	19	150	73
JIS 40K-80	32	210	140	8	23	170	73
JIS 10K-100	18	210	151	8	19	175	73
JIS 40K-100	36	250	165	8	25	205	73

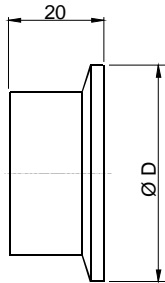
Dimensional drawings (dimensions in mm)



Process connection **PA**
- PMC 1"



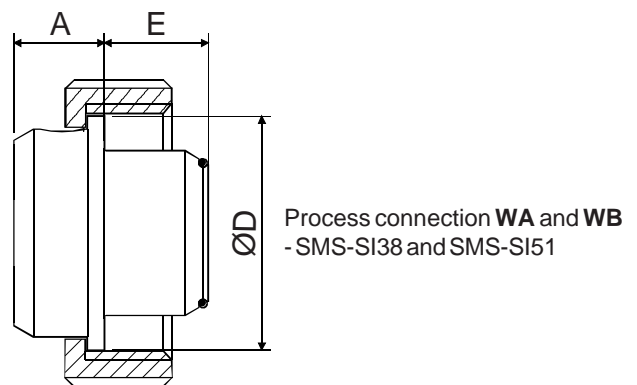
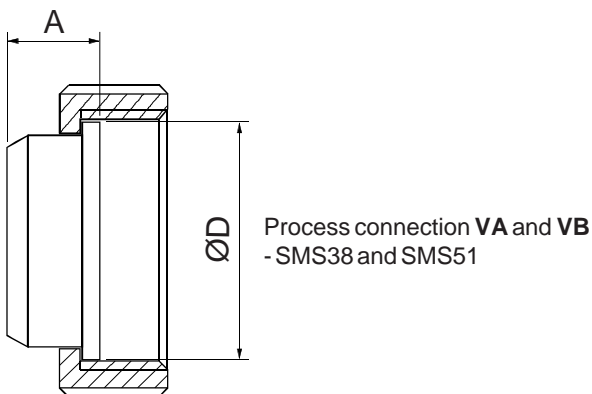
Process connection **BB**
- M45x2



Process connections **TA , TB and TC**
- Tri-clamp DN38 ... 63,5

DN	ØD
38	50.5
51	64
63.5	77.5

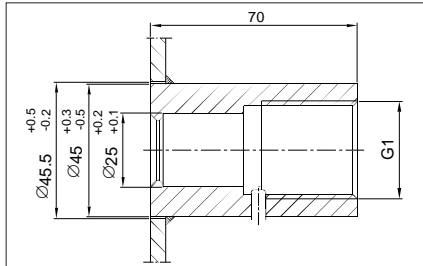
BA - extension code	L
0	28,5
2	51
3	72
4	102



Size	Dimensions		Thread
	ØD	A	
38	54	21	Rd 60 x 1/6
51	64	23	Rd 70 x 1/6

Size	Dimensions			Thread
	ØD	A	E	
SI38	54	21	24	Rd 60 x 1/6
SI51	64	23	27	Rd 70 x 1/6

Process couplings, G1 thread



Standard coupling

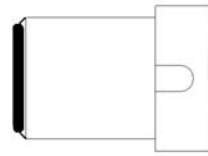
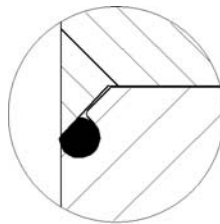
Material: AISI316L, Titanium or Hastelloy C

Special couplings, e.g.:

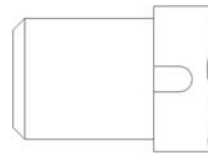
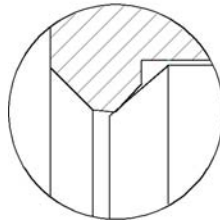
- G1 hygienic coupling, M548101
- G1/2A/G1 coupling, M546190
- G1/2A/G1 coupling with venting, M860280
- G1/2A/G1 couplings with bracket:
 - G1/2A male, M546195
 - G1/2 female, M550393

Transmitter's process sealing G1 thread

Three different options are available for the transmitter's process sealing:



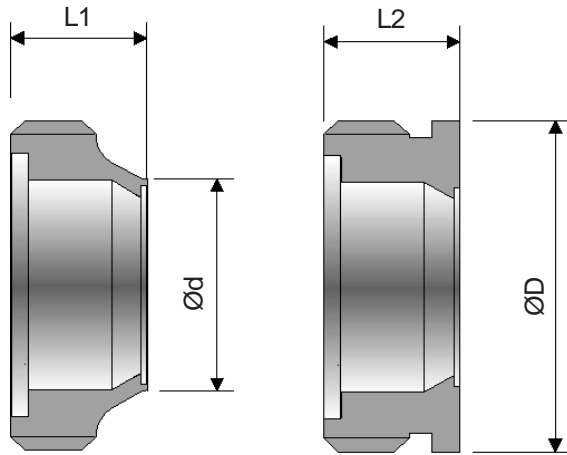
AISI316L, AISI317L or Duplex diaphragm, o-ring **FPM** (Viton) (code **G5**)
EHEDG - certified



AISI316L, AISI317L or Duplex diaphragm, o-ring **EPDM** (code **G6**)
EHEDG - certified

AISI316L, CoNi-, Duplex, Hastelloy C276 or Tantalum diaphragm, metal/metal taper sealing (diaphragm on sealing face) (code **G4**)

SMS-SI couplings :

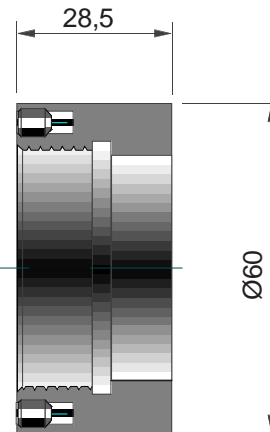


for pipe

for vessel

Size	Dimensions				Thread
	L1	Ød	L2	ØD	
38	27	38,5	24	60	Rd 60 x 1/6
51	30	51	25	70	Rd 70 x 1/6

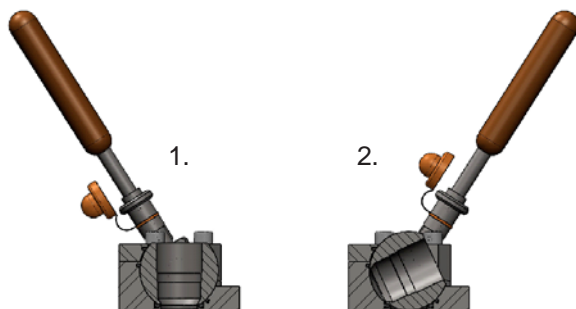
Coupling M45x2 with adjust, for process connection BA, order code M1050459



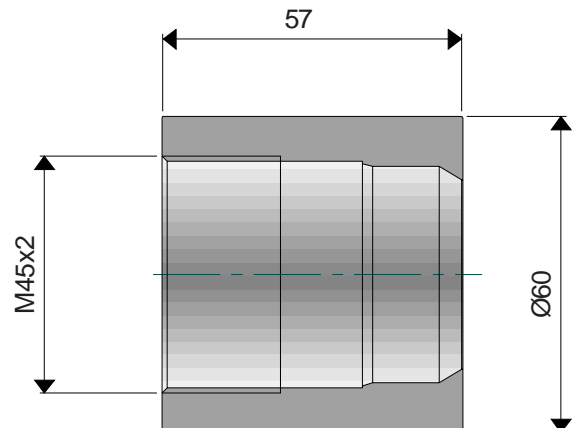
Passive BA working position:

For process connections **BA3** and **BB**

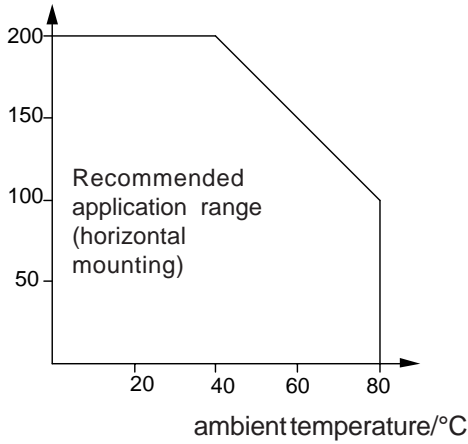
1. Transmitter in measuring
2. Transmitter can be checked, changed, calibrated or the transmitter diaphragm can be flushed



Coupling BB M45x2, for process connection BB, order code M1050474 (Welding assistant, code M1050473)



Process temperature/°C



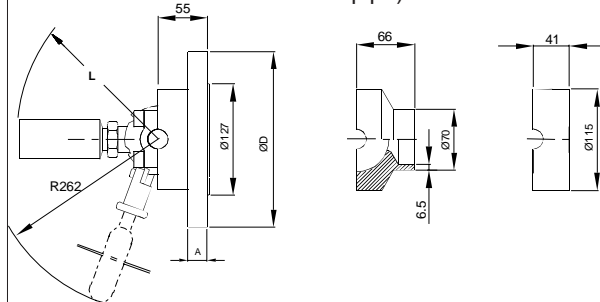
Process temperature limits, code **H**

PASVE® mounting & service valve

All PASVE types are also available with pneumatic actuator, flushing and limit switches.

PASVE GF(NF)
(Flange type)

GP (NP)
(Welded on pipe)



Keyboard :

- Esc = Press **Esc** move back towards the top of the main menu.
- ▲ = Use the **UP** arrow key to move up on the current menu level or to increase the selected parameter value.
- ▼ = Use the **DOWN** arrow key to move down on the current menu level or to decrease the selected parameter value.
- Enter = Press **ENTER** to move to a lower level in a menu or to accept a command or parameter value.



Satron Instruments Inc., Muuraintie 3, 33960 Pirkkala - Finland
Tel. +358 207 464 800, sales@satron.com, www.satron.com

We reserve the right for technical modifications without prior notice.

HART is a registered trademark of HART Communication Foundation.
Pasve is a trademark of Satron Instruments Inc.
Hastelloy is the registered trademark of Haynes International.
Teflon is the registered trademark of E.I. du Pont de Nemours & Co.
Viton is the registered trademark of DuPont Down Elastomer.
Varivent is a registered trademark of GEA Tuchenhagen.



Selection Chart

Adjustability	Span, min	Span, max.	Measuring range
VDU4	4kPa (40 mbar)	100 kPa (1000 mbar)	-100...+100 kPa (-1000...1000 mbar)
VDU4/5	4kPa (40 mbar)	250 kPa (2500 mbar)	-100...+250 kPa (-1000...2500 mbar)
VDU5	26.5 kPa (265 mbar)	500 kPa (5000 mbar)	-100...+500 kPa (-1000...5000 mbar)
VDU5/6	26.5 kPa (265 mbar)	1 MPa (10 bar)	-0.1...+1 MPa (-1... 10 bar)
VDU6	0.145 MPa (1.45 bar)	3 MPa (30 bar)	-0.1...+3 MPa (-1...30 bar)

Output	S 4-20mA DC/HART®	D 4-20mA DC/HART® and with galvanic isolation 4-20mA
--------	-------------------	--

Process connections			
DA	DN25 PN40 ISO 2084-1974	AB	ANSI 1" 300 lbs ANSI B16-5
DB	DN50 PN40 ISO 2084-1974	AC	ANSI 2" 150 lbs ANSI B16-5
DC	DN80 PN40 ISO 2084-1974	AD	ANSI 2" 300 lbs ANSI B16-5
DD	DN100 PN40 ISO 2084-1974	AE	ANSI 3" 150 lbs ANSI B16-5
JA	JIS 10K 50 JIS B 2220	AF	ANSI 3" 300 lbs ANSI B16-5
JB	JIS 40K 50 JIS B 2220	AG	ANSI 4" 150 lbs ANSI B16-5
JC	JIS 10K 80 JIS B 2220	AH	ANSI 4" 300 lbs ANSI B16-5
JD	JIS 40K 80 JIS B 2220	TA	Tri-clamp DN38 PN40 ISO 2852
JE	JIS 10K 100 JIS B 2220	TB	Tri-clamp DN51 PN40 ISO 2852
JF	JIS 40K 100 JIS B 2220	TC	Tri-clamp DN63.5 PN40 ISO 2852
AA	ANSI 1" 150 lbs ANSI B16-5		
UA	Tuchenhagen DN50/40 (Varivent®) PN40		
PA	PMC 1" PN40		
SA	Sandvik DN70 PN64		
BA	M45x2 PN160		
BB	M45x2 PN160		
G4	G1 thread, metal/metal taper sealing		
G5	G1 thread, FPM O-ring sealing (*)		
G6	G1 thread, EPDM O-ring sealing (*)		
VA	SMS 38		
VB	SMS 51		
WA	SMS-SI 38 with extension 24 mm		
WB	SMS-SI 51 with extension 27 mm		

Extension length (mm)	(Flanged conn.)	(Sandvik conn.)	
0	0	-	(not proc.conn. SA)
1	23	-	(only proc.conn. DA1, DN25 PN40, max. +125 °C)
2	51	54.5	(not proc.conn. BB, VA, VB, WA, WB, Tx, UA, PA, DA, G1, G2, G4)
3	72	-	(only proc.conn. BA)
4	102	105	(not proc.conn. BB, VA, VB, WA, WB, Tx, UA, PA, DA, G1, G2, G4)
6	152	156	(not proc.conn. BB, VA, VB, WA, WB, Tx, UA, PA, DA, G1, G2, G4)

Wetted materials				Extension or other wetted parts		Diaphragm coating	
Code	Material	Code	Material	Code	Material	Code	Material
1	Nickel (x) (*)	5	Tantalum (*)	2	AISI316L	9	gold/Rhodium
2	AISI316L	6	Titanium (xx)	3	Hast.C 276	Y	diamond (specify only when coated)
3	Hast.C 276 (*)	8	Duplex (*)	8	Duplex		

Filling oil	S Silicone oil	G Inert oil	A Food industry oil (Neobee M20)
-------------	----------------	-------------	----------------------------------

Housing type, master
N Housing with junction box/terminal strip, display, inlet M20x1,5

Explosion proof	0 No explosion proof classification
-----------------	-------------------------------------

Process temperature	N -30 ... +125 °C	H 0 ... +200 °C (*)
	S +20 ... +70 °C (only process connections BA and DA)	

Cable between sensors	
1	PUR cable with M12 connector both end of cable
2	PVC cable with AISI316/ PG9 inlet, fixed factory mounted

Process couplings	Material
0 Will be ordered separately	2 AISI316L
A With coupling	3 Hast.C276
	6 Titanium
	8 Duplex

Special sizes of electrical inlets (Standard M20x1.5)		
N 1/2 NPT	G Pg13.5	P PLUG connector, DIN43650

Documentation
Calibration certificate AE English
Installation and Operating Instructions IE English IF Finnish

Material certificates	
0	No material certificate
MC1	Raw material certificate without appendixes, in accordance with SFS-EN 10204-2.1 (DIN 50049-2.1) standard
MC2	Raw material certificate for wetted parts, in accordance with SFS-EN 10204-2.2 (DIN 50049-2.2) standard
MC3	Raw material certificate for wetted parts, in accordance with SFS-EN 10204-3.1 B (DIN 50049-3.1 B) standard

(x) = only with flange
(xx) = only with flange and G4
(!) = EHEDG - certified

(*) = not proc.conn. G5 and G6